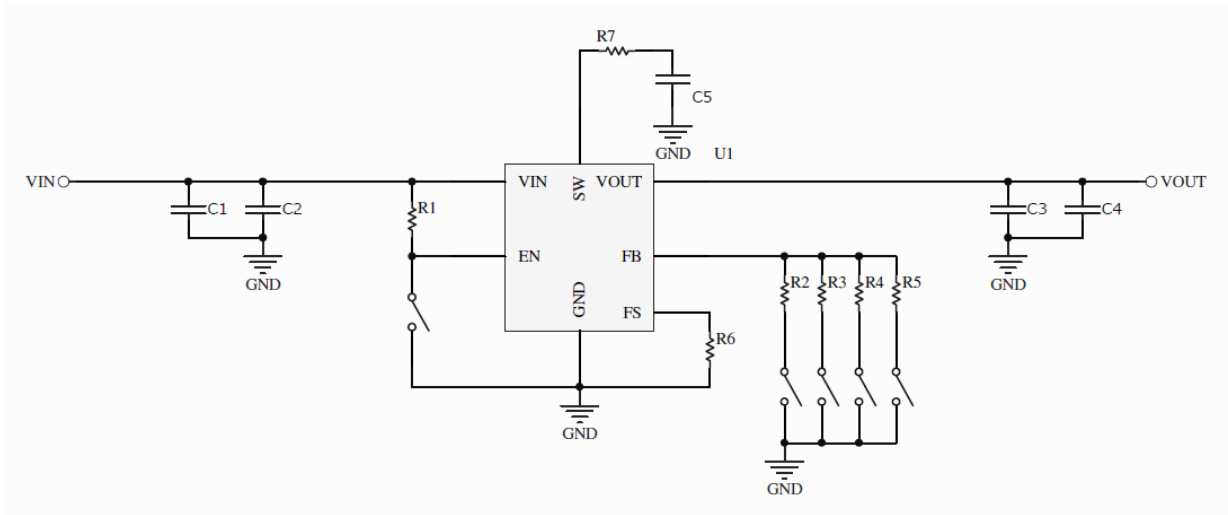


EVALUATION BOARD SCHEMATIC:



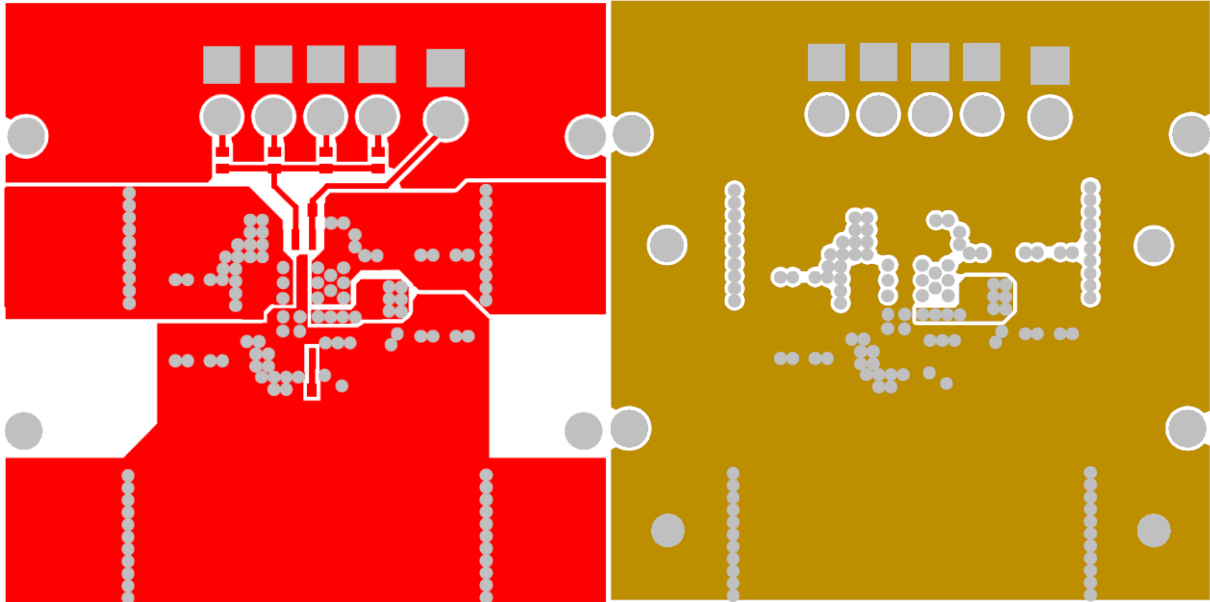
PROGRAMMING OUTPUT VOLTAGE:

$$V_{OUT} (V) = 0.6 \times \left(1 + \frac{100k}{R_{FB}} \right) \quad (EQ.1)$$

Vout	5V	9V	12V
RFB (Ohm)	13.636k	7.142k	5.263k

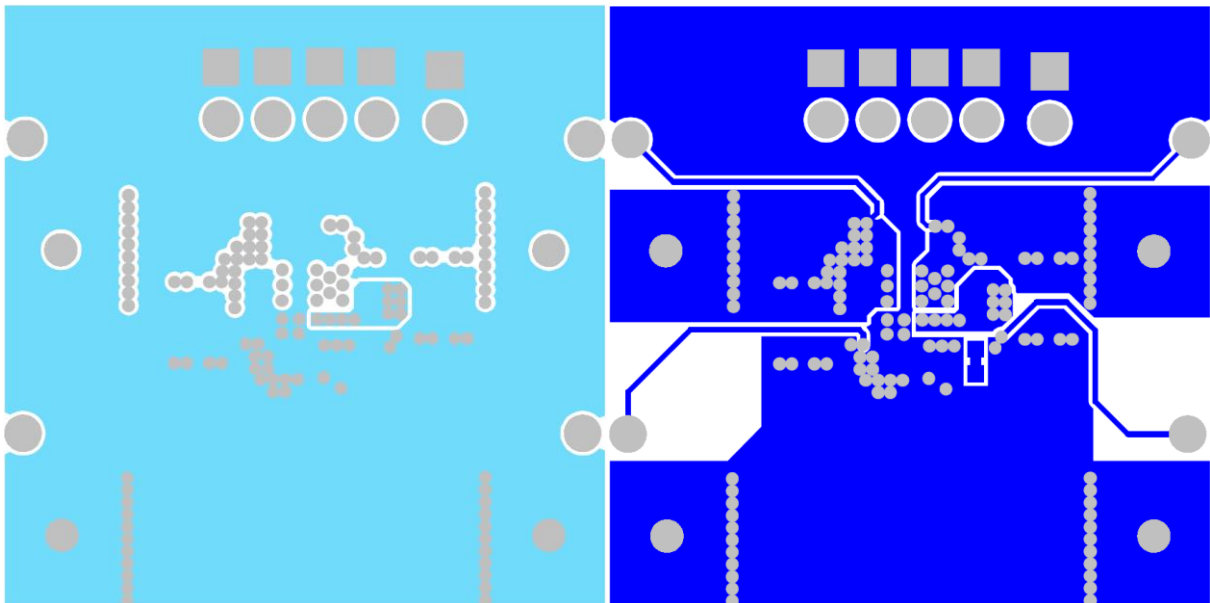
TABLE 1: OUTPUT VOLTAGE SETTING

PRINTED CIRCUIT BOARD LAYOUT:



Top Layer

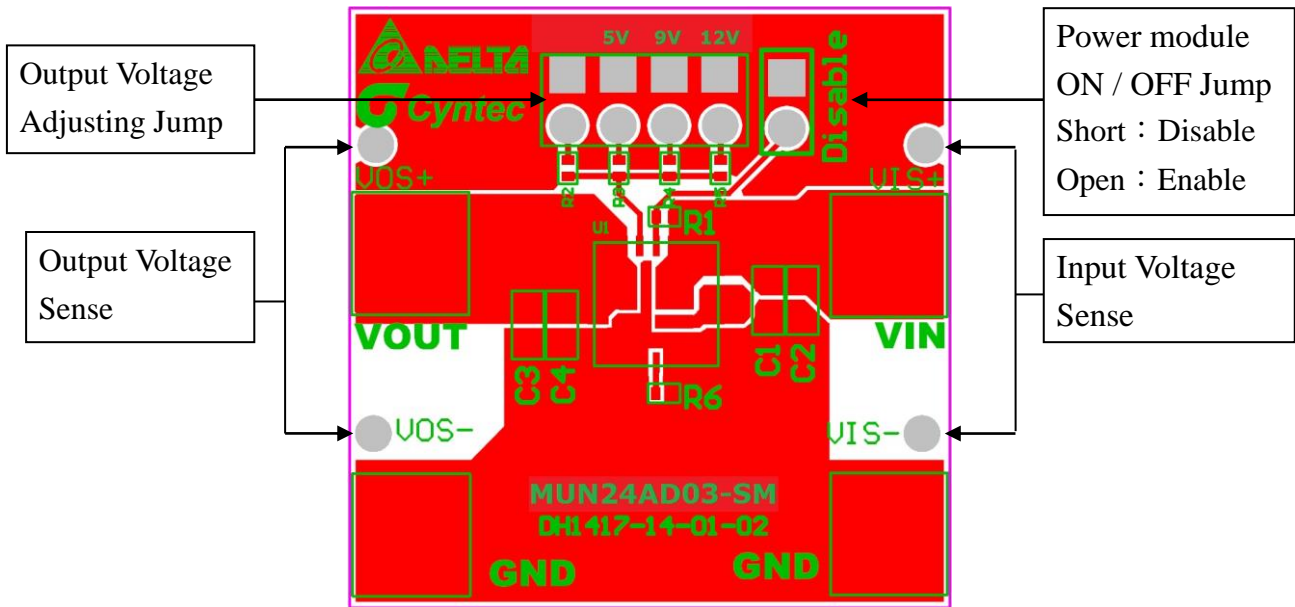
Mid 1 Layer



Mid 2 Layer

Bottom Layer

TEST POINTS INFORMATION:



BOM LIST:

Designator	Function	Description	Note
C1	Input Cap	MLCC / 10uF / 50V / X7R / 1210	
C2	Input Cap	-	
C3	Output Cap	-	
C4	Output Cap	MLCC / 22uF / 16V / X7R / 1210	
C5	Snubber	N.C	
R1	ON / OFF	100k ohm / 0402	
R2	RFB	-	
R3	RFB	13.7k ohm / 0402	
R4	RFB	7.15k ohm / 0402	
R5	RFB	5.23k ohm / 0402	
R6	RFS	133K ohm / 0402	
R7	Snubber	N.C	
U1	Module	MUN24AD03-SM	



MUN24AD03-SM EVB GUIDE

REVISION HISTORY:

Date	Revision	Changes
2015.09.4	00	Issue initial preliminary EVB guide.